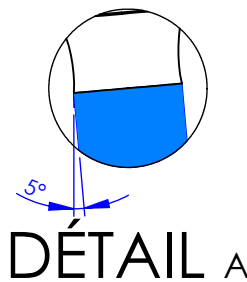
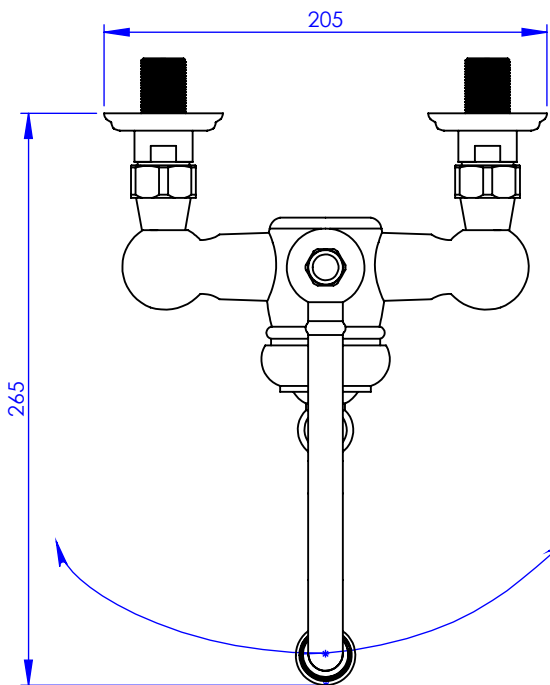
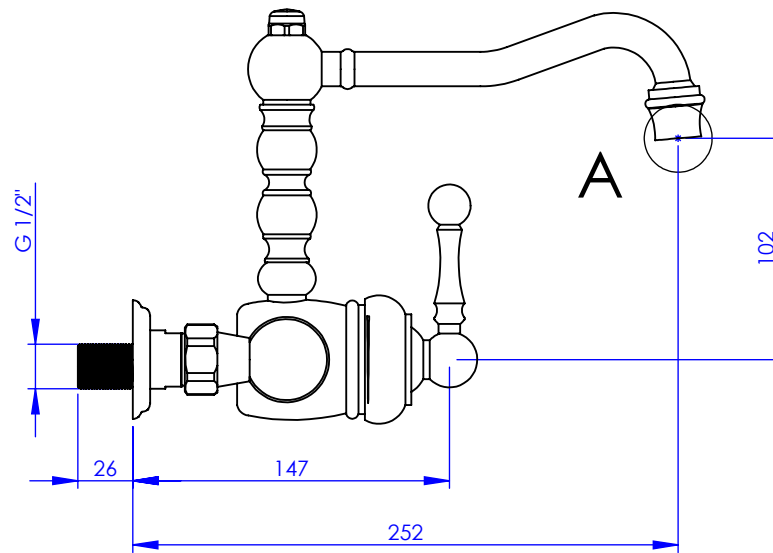
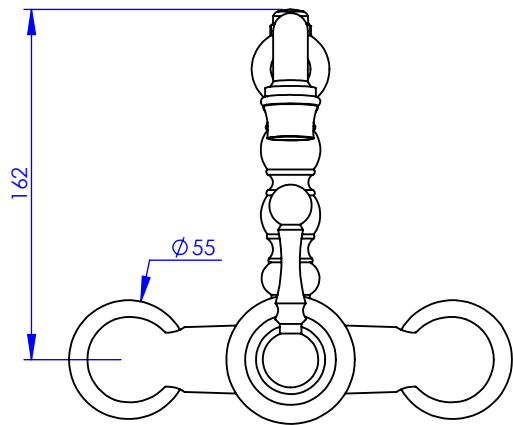


Collection : Thétis

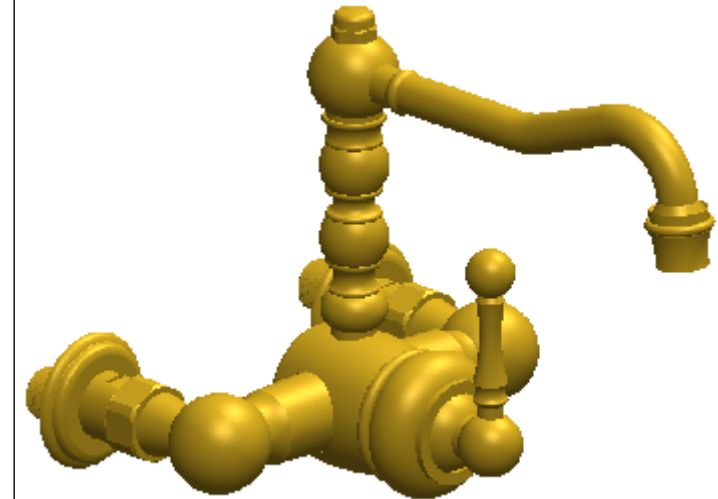
Mitigeur de lavabo 2 trous mural apparent, bec mobile

Wall-mounted 2-hole single-lever basin mixer, swivel spout



Bec tournant/
Rotating spout

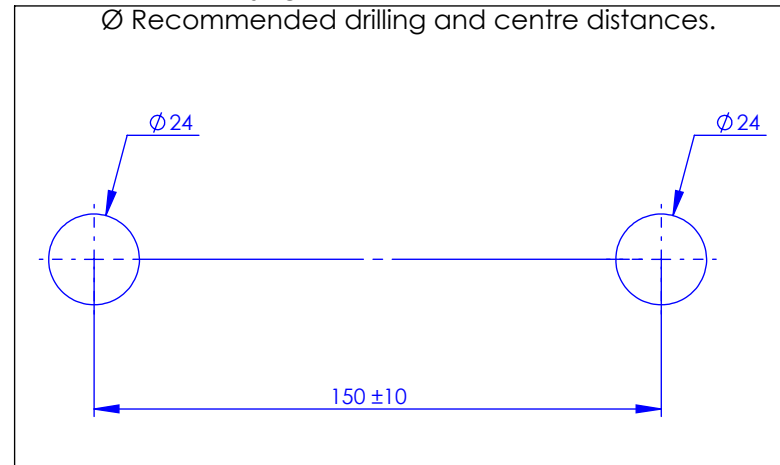
Ref : M02-1202M



Ancienne ref : 012.3.62.00

Débit / Flow rate : 6 l/min sous 3 bars.
Pression maxi / max pressure : 5 bars.

Ø de perçage et entre-axe recommandés.
Ø Recommended drilling and centre distances.



MARGOT

PARIS . 1912

14/01/2021 -2

Informations :

Vidage non-fourni. / Waste not-included.