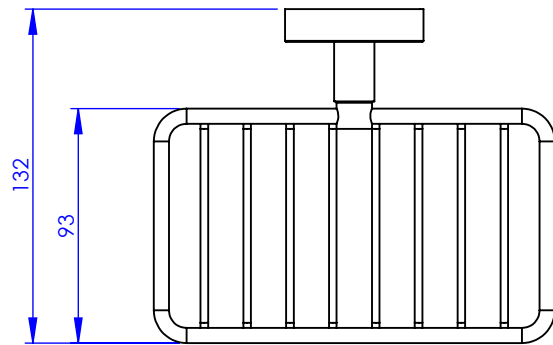
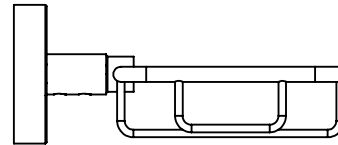
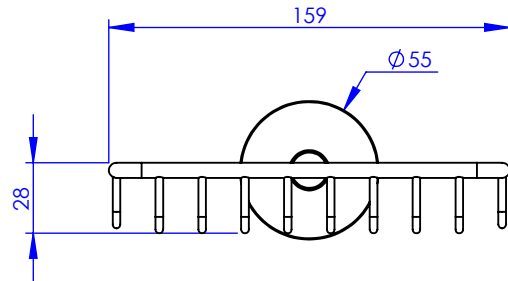
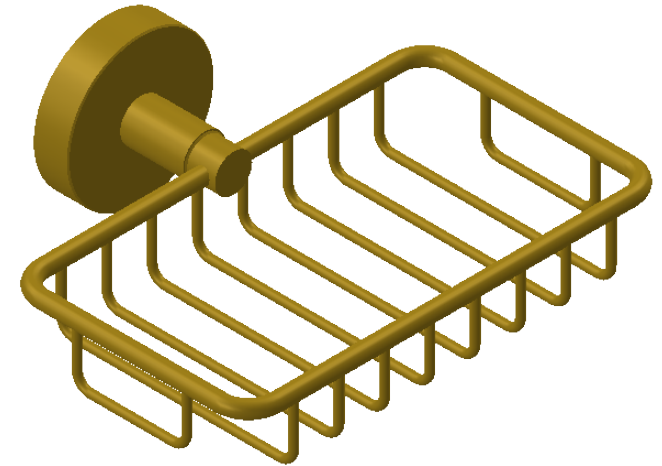


Collection : Accessoires Onyx
Porte-savon douche, mural
Wall mounted shower soap holder

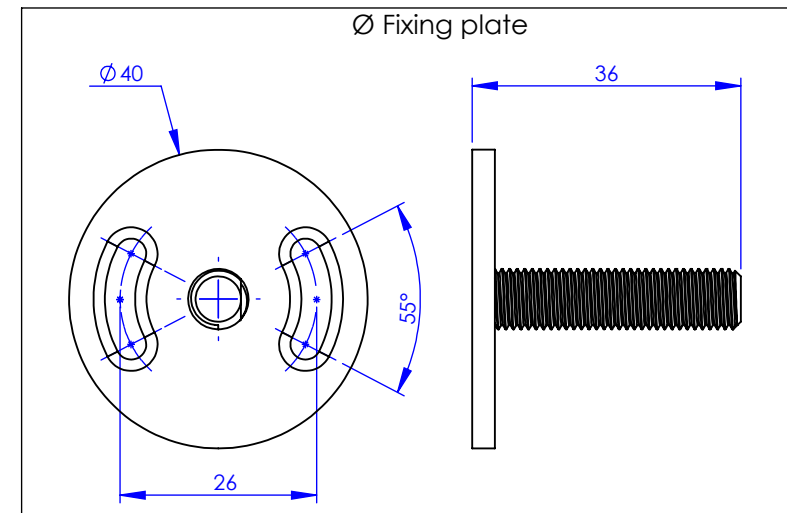


Ref : M90-519



Ancienne ref : 083.9.35.00

Ø Platine de fixation.
Ø Fixing plate



MARGOT

PARIS . 1912

29/03/2021 -1