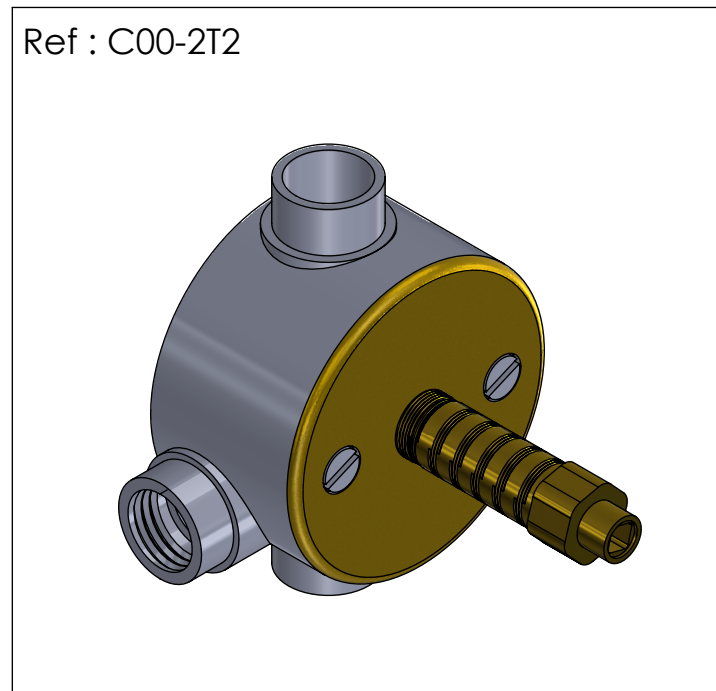
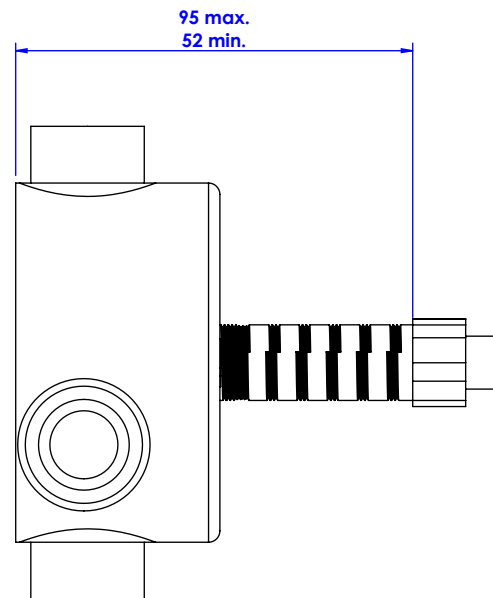
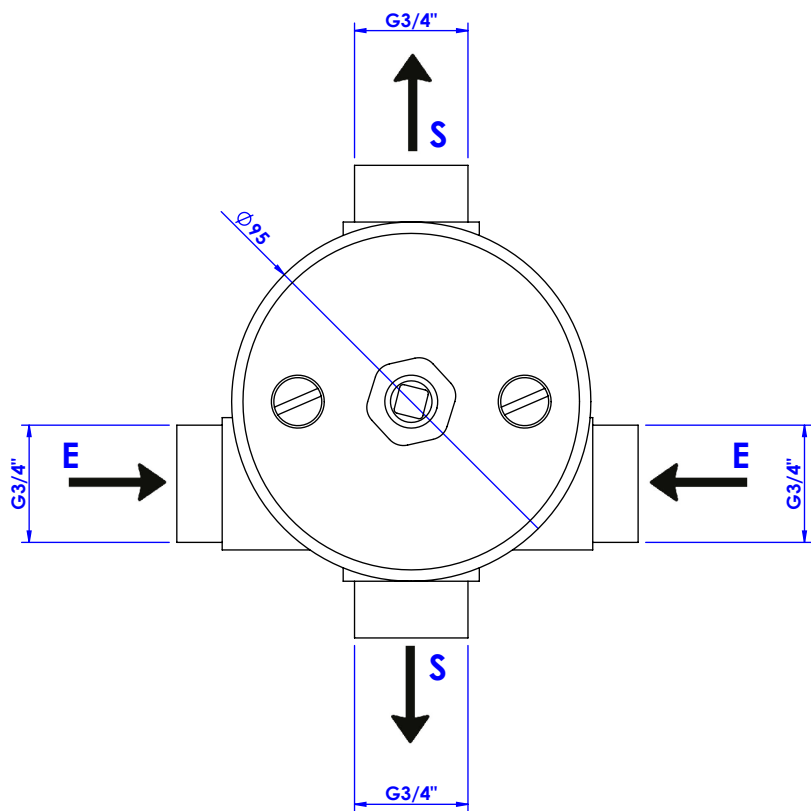


Centrale thermostatique 3/4" - Thermostatic mixer 3/4"

Ref : C00-2T2



Débit / Flow rate : 80l/min (sous 3 bars).
Pression maxi / max pressure : 5 bars.

CRISTAL&BRONZE

PARIS · 1937

20/01/2020 -1